
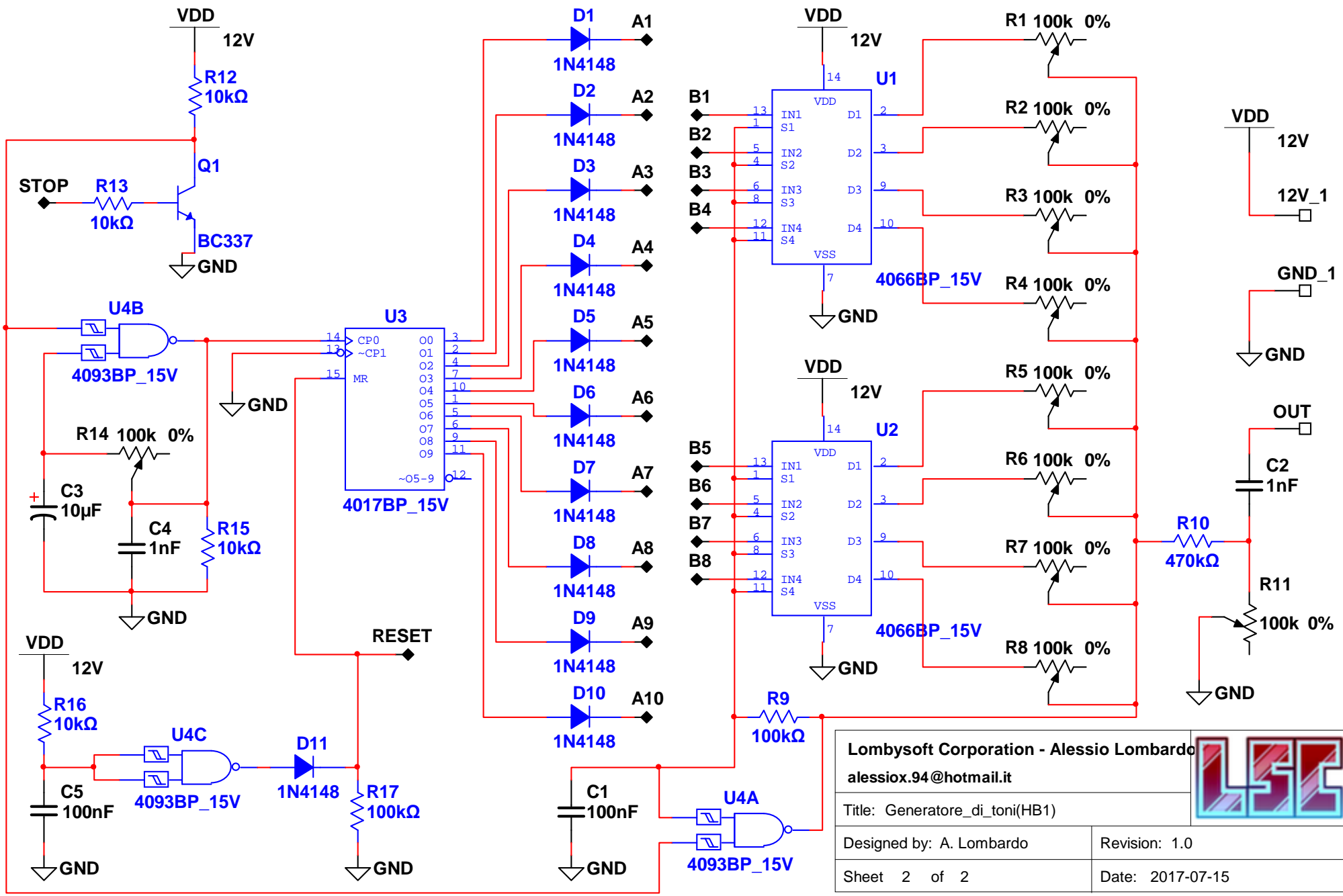


Lombysoft Corporation - Alessio Lombardo		
alessiox.94@hotmail.it		
Title: Interfaccia		
Designed by: A. Lombardo	Revision: 1.0	
Sheet 1 of 2	Date: 2017-07-15	



Lombysoft Corporation - Alessio Lombardo
 alessiox.94@hotmail.it

Title: Generatore_di_toni(HB1)

Designed by: A. Lombardo Revision: 1.0

Sheet 2 of 2 Date: 2017-07-15

